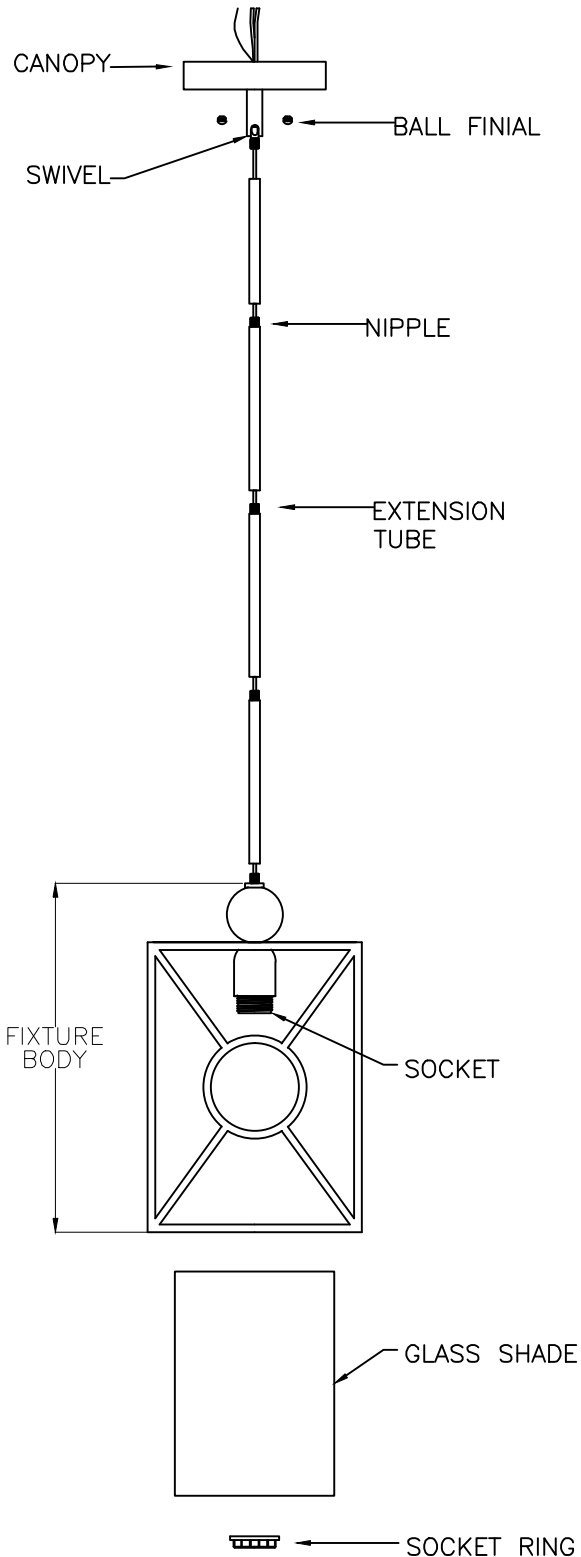


UTTERMOST

ASSEMBLY INSTRUCTIONS



MODEL: 21978

ASSEMBLY INSTRUCTIONS

READ AND SAVE THESE INSTRUCTIONS

TOOLS: YOU WILL NEED THE FOLLOWING TOOLS OR EQUIPMENT: LADDER, SCREWDRIVER, ADJUSTABLE WRENCH, WIRE CUTTERS

UNPACK THE FIXTURE

YOU SHOULD HAVE RECEIVED THE FOLLOWING:
CANOPY, (3) 12" AND (1) 6" EXTENSION TUBES, FIXTURE BODY, GLASS SHADE AND SOCKET RING.

MOUNTING HARDWARE PACKAGE:

(2) 8-32 x 1" SCREWS, (2) 5-32 x 1-1/2" SCREWS, CROSS BAR, GREEN GROUND SCREW, (3) WIRE CONNECTORS, (2) BALL FINIALS, (2) NUTS.

TO PROTECT THE FINISH, PLACE ALL PARTS ON A SOFT SURFACE.

ASSEMBLE THE FIXTURE

1. USE ANY SINGLE LENGTH OF EXTENSION TUBE OR CONNECT TUBE SECTIONS TOGETHER TO OBTAIN DESIRED LENGTH.

2. FEED WIRE UP THROUGH TUBING STARTING AT SOCKET ASSEMBLY AND WORKING UPWARDS TOWARD CANOPY.

****STOP** COMPLETE INSTALLATION INSTRUCTIONS ON REVERSE SIDE BEFORE PROCEEDING.**

FINAL ASSEMBLY

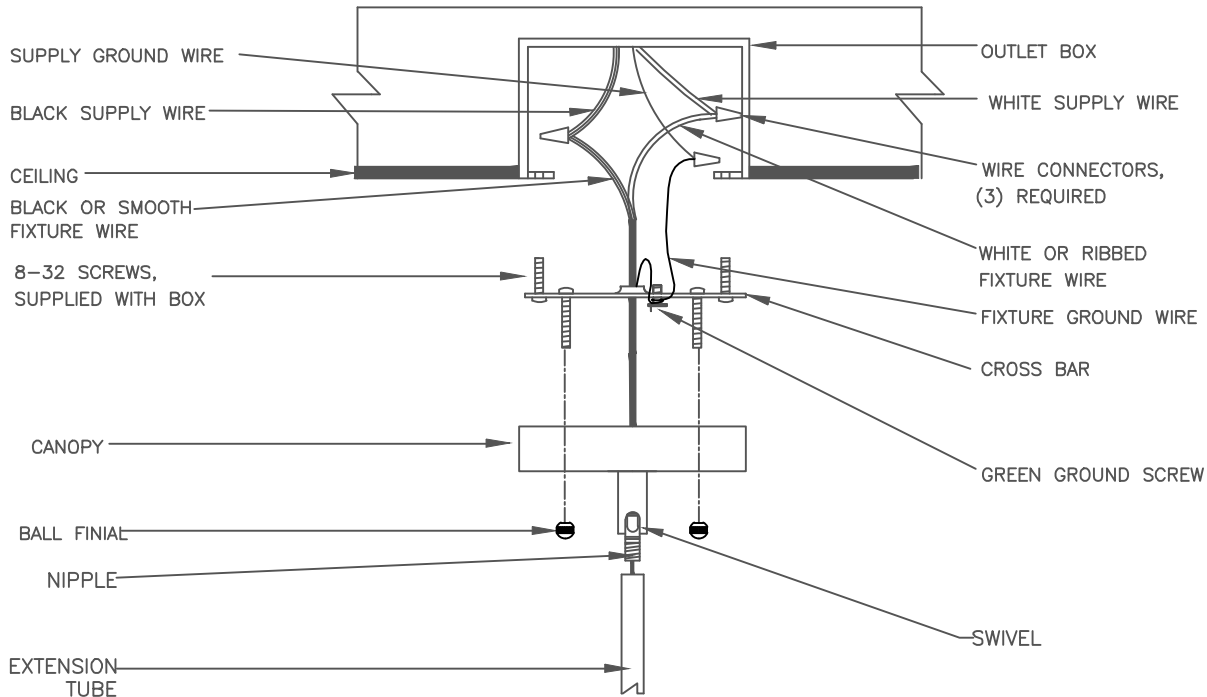
1. RAISE GLASS SHADE OVER SOCKET AND SECURE WITH SOCKET RING.

2. INSTALL 60 WATT MAXIMUM TYPE "A" BULB (NOT INCLUDED) INTO SOCKET.

3. RESTORE POWER. YOUR FIXTURE IS NOW READY TO USE.

UTTERMOST

ASSEMBLY INSTRUCTIONS



MODEL: 21978

INSTALLATION INSTRUCTIONS

READ AND SAVE THESE INSTRUCTIONS

CAUTION

TO AVOID POSSIBLE ELECTRIC SHOCK, MAKE SURE THE ELECTRICITY IS SHUT OFF AT THE MAIN PANEL. IF YOU ARE REPLACING AN EXISTING FIXTURE, FIRST TURN THE FIXTURE OFF. NEXT, TURN THE WALL SWITCH OFF. FINALLY, GO TO THE MAIN FUSE OR BREAKER BOX IN YOUR HOME. TURN THE FUSE OR BREAKER TO THE OFF POSITION. SOME TYPES OF FUSES MUST BE UNSCREWED TO SHUT OFF THE POWER.

* ALL WIRING MUST BE DONE IN ACCORDANCE WITH NATIONAL AND LOCAL ELECTRIC CODES.

** IF YOU ARE NOT FAMILIAR WITH WIRING, YOU SHOULD USE A QUALIFIED ELECTRICIAN.

*** THIS FIXTURE IS INTENDED TO BE MOUNTED TO A UL LISTED OUTLET BOX CAPABLE OF SUPPORTING THE FIXTURE.

COMPLETE FIXTURE ASSEMBLY INSTRUCTIONS FIRST (SEE REVERSE).

1. SCREW (2) 8-32 x 1" SCREWS INTO THE CROSSBAR MAKING SURE THAT THEY LINE UP WITH THE HOLES IN THE CANOPY. ATTACH THE CROSSBAR TO THE CEILING OUTLET BOX USING THE TWO SCREWS PROVIDED WITH THE OUTLET BOX. (NOTE: IF THE SCREWS WITH THE OUTLET BOX ARE TOO SHORT, USE THE (2) 8-32 x 1" SCREWS PROVIDED IN THE MOUNTING HARDWARE PACKAGE).
2. CONNECT THE WHITE OR RIBBED FIXTURE WIRE TO THE WHITE SUPPLY WIRE IN THE OUTLET BOX USING THE TWIST-ON WIRE CONNECTORS PROVIDED. CONNECT THE BLACK OR SMOOTH FIXTURE WIRE TO THE BLACK SUPPLY WIRE IN THE SAME MANNER. ATTACH THE FIXTURE AND SUPPLY GROUND WIRES ONTO THE CROSS BAR USING THE GREEN GROUND SCREW AND CONNECTOR.
3. TUCK THE WIRES CAREFULLY INSIDE THE OUTLET BOX. SPREAD THE ELECTRICAL SPLICES SO THAT THE BLACK WIRES ARE ON ONE SIDE OF THE OUTLET BOX AND THE WHITE WIRES ARE ON THE OTHER SIDE.
4. RAISE THE FIXTURE TO THE CEILING AND SECURE IN PLACE WITH THE (2) BALL FINIALS.
5. SEE REVERSE FOR FINAL ASSEMBLY INSTRUCTIONS.